

GV-EVD2100 2MP H.264 Super Low Lux WDR IR Vandal Proof IP Dome



- 1/2.8" progressive scan super low lux CMOS
- Min. illumination at 0.004 lux
- Dual streams from H.264 and MJPEG
- Up to 30 fps at 1920 x 1080
- Vandal resistance (IK10 for metal casing)
- Ingress protection (IP67)
- Megapixel varifocal lens
- P-iris lens for auto iris control
- Intelligent IR
- IR distance up to 50 m (164 ft)
- Day and Night function (with removable IR-cut filter)
- 3-axis mechanism (pan / tilt / rotate)
- DC 12V / PoE (IEEE 802.3af)
- Two-way audio
- Wide Dynamic Range (WDR)
- 3D noise reduction
- Defog
- Motion detection
- Tampering alarm
- Text overlay
- Privacy mask
- IP address filtering
- Recording assigned by GV-Edge Recording Manager ([Windows](#) & [Mac](#))
- Supports iPhone, iPad, Android & 3GPP
- 31 languages on Web interface
- ONVIF (Profile S) conformant
- More storage option - [NAS](#)

Introduction

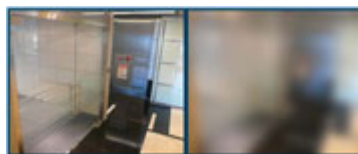
The Target Vandal Proof IP Dome is an outdoor camera designed with **IK10** vandal resistance and **IP67** ingress protection. The camera is equipped with an automatic IR-cut filter and IR LEDs for day and night surveillance. With the super low lux CMOS image sensor, the camera is capable of providing a color live view in near darkness. Adjustable in 3 axis (pan, tilt and rotate), it offers an entry-level surveillance solution with all the essential features and excellent image quality.

Active Tampering Alarm

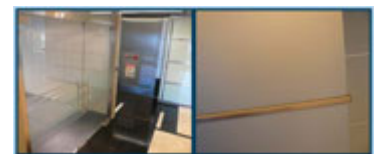
Tampered



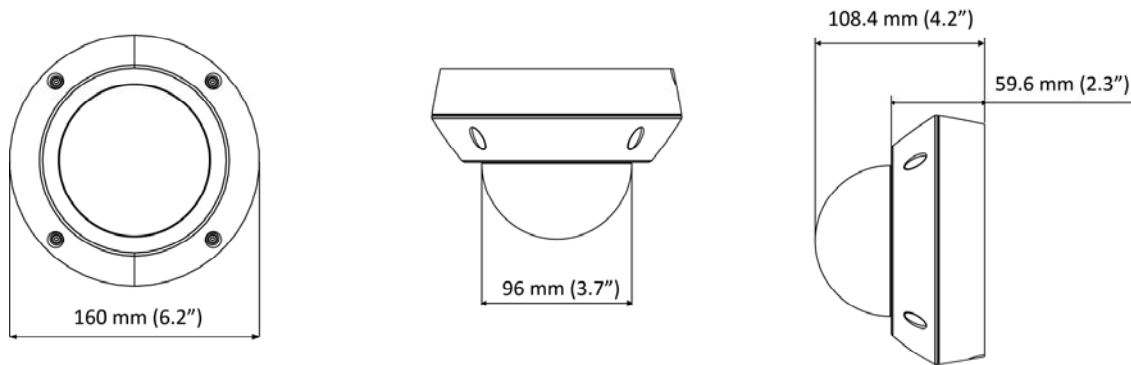
Focus Change



Camera Shift



Dimensions



Specifications

| Camera | | |
|-----------------------------------|---|--------------------|
| Image Sensor | 1/2.8" progressive scan super low lux CMOS | |
| Picture Elements | 1920 (H) x 1080 (V) | |
| Minimum Illumination | Color | 0.005 Lux |
| | B/W | 0.004 Lux |
| | IR ON | 0 Lux |
| Shutter Speed | Automatic, Manual (1/5 ~ 1/8000 sec.) | |
| White Balance | Automatic, Manual (2800K ~ 8500K) | |
| Gain Control | Automatic | |
| S/N Ratio | 56 dB | |
| WDR | Yes | |
| Dynamic Range | Up to 72 dB | |
| Lens | | |
| Megapixel | Yes | |
| Day/Night | Yes (with removable IR-cut filter) | |
| Focal Length | 3 ~ 9 mm | |
| Lens Type | Varifocal | |
| Maximum Aperture | F/1.7 | |
| Mount | Ø14 mm | |
| Horizontal FOV | 102° ~ 40° | |
| Image Format | 1/2.8" | |
| Operation | Focus | Manual (with lock) |
| | Zoom | Manual (with lock) |
| | Iris | P-iris |
| Max. Torque (Focus / Zoom Screws) | 0.049 N.m | |
| IR LED Quantity | 20 IR LEDs | |
| Max. IR Distance | 50 m (164.04 ft) | |
| Operation | | |
| Video Compression | H.264, MJPEG | |
| Video Streaming | Dual streams from H.264 and MJPEG | |
| Frame Rate | 30 fps at 1920 x 1080 * The frame rate and the performance may vary depending on the number of connections and data bitrates (different scenes). | |
| Image Setting | Brightness, Contrast, Saturation, Sharpness, Gamma, White Balance, Flicker-less, Image Orientation, Shutter Speed, D/N Sensitivity, Backlight Compensation, WDR, Defog, Low Lux Enhancement | |
| Audio Compression | G.711, AAC (Optional) | |
| Audio Support | Two-way Audio | |

| Video Resolution | | |
|-------------------------|--|---|
| Main Stream | 4:3 | 1280 x 960, 640 x 480, 320 x 240 |
| | 16:9 | 1920 x 1080, 1280 x 720, 640 x 360, 448 x 252 |
| | 5:4 | 1280 x 1024, 640 x 512, 320 x 256 |
| Sub Stream | 4:3 | 640 x 480, 320 x 240 |
| | 16:9 | 640 x 360, 448 x 252 |
| | 5:4 | 640 x 512, 320 x 256 |
| Network | | |
| Interface | 10/100 Ethernet | |
| Ethernet Protocol | DHCP, DynDNS, FTP, HTTP, HTTPS, NTP, ONVIF (Profile S), PSIA, QoS (DSCP), RTSP, SNMP, SMTP, TCP, UDP, UPnP, 3GPP/ISMA | |
| Mechanical | | |
| Temperature Detector | Yes | |
| Camera Angle Adjustment | Pan | 0° ~ 350° |
| | Tilt | 0° ~ 75° |
| | Rotate | 0° ~ 340° |
| Connectors | Power | 2-pin terminal block, PoE |
| | Ethernet | Ethernet (10/100 Base-T), RJ-45 cable |
| | Audio | 1 In (microphone jack, 3.5 mm / 0.14") 1 Out (stereo phone jack, 3.5 mm / 0.14") |
| | TV-Out | BNC connector (D1 resolution) |
| LED Indicator | 2 LEDs: Power, Status | |
| General | | |
| Environment Temperature | Start-up | -20 °C ~ 50 °C (-4 °F ~ 122 °F) |
| | Operation | -30 °C ~ 50 °C (-22 °F ~ 122 °F) |
| Humidity | 10% to 90% (no condensation) | |
| Power Source | 12V DC / PoE (IEEE 802.3af) | |
| Max. Power Consumption | 6.1 W | |
| Dimension | ø160 x 108.4 mm (6.2 x 4.27") | |
| Weight | 1.15 kg (2.54 lb) | |
| Ingress Protection | IP67 | |
| Vandal Resistance | IK10 for metal casing | |
| Regulatory | CE, FCC, RCM, RoHS compliant | |
| Power over Ethernet | | |
| PoE Standard | PoE (IEEE 802.3af Power over Ethernet / PD) | |
| PoE Power Supply Type | End-Span | |
| PoE Power Output | Per Port 48V DC, 350 mA. Max. 15.4 watts | |
| Web Interface | | |
| Installation Management | Web-based configuration | |
| Maintenance | Firmware upgrade through Web Browser or Utility | |
| Access from Web Browser | Camera Live View, Video Recording, Change Video Quality, Bandwidth Control, Image Snapshot, Audio, Picture in Picture, Picture and Picture, Privacy Mask, Text Overlay, Digital PTZ | |
| Language | Arabic / Bulgarian / Czech / Danish / Dutch / English / Finnish / French / German / Greek / Hebrew / Hungarian / Indonesian / Italian / Japanese / Lithuanian / Norwegian / Persian / Polish / Portuguese / Romanian / Russian / Serbian / Simplified Chinese / Slovakian / Slovenian / Spanish / Swedish / Thai / Traditional Chinese / Turkish | |
| Applications | | |
| Network Storage | GV-System (GV-DVR/NVR), GV-Recording Server, GV-VMS | |
| Smart Device Access | GV-Eye for iOS and Android | |
| Live Viewing | IE, Mobile App | |
| CMS Server support | GV-Control Center, GV-Center V2, GV-Vital Sign Monitor | |

Note: Specifications are subject to change without prior notice.

Packing List

- | | |
|--|----------------------------------|
| 1. Target Vandal Proof Dome | 11. Big Concave hexagon Wrench |
| 2. Screw x 4 | 12. Small Concave hexagon Wrench |
| 3. Screw Anchor x 4 | 13. Silica Gel Bag |
| 4. TV-Out Wire | 14. Sticker (for Silica Gel Bag) |
| 5. Audio Wires x 2 | 15. Ruler |
| 6. Installation Sticker | 16. GV-IPCAM H.264 Software DVD |
| 7. Conduit Converter | 17. GV-NVR Software DVD |
| 8. RJ-45 Connector | 18. Warranty Card |
| 9. Waterproof rubber sets (for RJ-45 Cat.5 and DC12V / for RJ-45 Cat.6) | |
| 10. Torx Wrench | |

Note: Power adapters can be purchased upon request.

Accessories

| Model No. | Name | | Details |
|-------------|--|---|--|
| GV-Mount100 | Straight Tube and Junction Box Kit |  | Dimensions: 200 x 170 x 257.5 mm (7.9 x 6.7 x 10.1") Weight: 3.17 kg (6.99 lb) |
| GV-Mount101 | Straight Tube Kit |  | Dimensions: 219 x 125 x 332 mm (8.6 x 4.9 x 13.1") Weight: 1.8 kg (3.97 lb) |
| GV-Mount200 | Wall Pendant Tube |  | Dimensions: 225 x 140 x 250 mm (8.9 x 5.5 x 9.8") Weight: 900 g (1.98 lb) |
| GV-Mount203 | Wall Pendant Tube and Junction Box Kit |  | Dimensions: 315 x 195.5 x 225 mm (12.4 x 7.7 x 8.9") Weight: 2.95 kg (6.5 lb) |
| GV-Mount206 | Wall Mount Bracket Kit |  | Dimensions: 126.5 x 211.3 x 176.85 mm (5 x 8.3 x 6.96") Weight: 0.93 kg (2.06 lb) |

| Model No. | Name | | Details |
|-------------|-------------------------------------|---|--|
| GV-Mount300 | Convex Corner Adapter Kit |  | Dimensions: 238.6 x 409.5 mm (9.4 x 16.1") Weight: 4.27 kg (9.41 lb) |
| GV-Mount310 | Concave Corner Adapter Kit |  | Dimensions: 123.3 x 393.1 mm (4.9 x 15.5") Weight: 2.96 kg (6.53 lb) |
| GV-Mount400 | Pole Mount Bracket Kit (Ø 4 ~ 6") |  | Bracket: 241 x 161 mm (9.5 x 6.3") Weight: 1.70 kg (3.75 lb) Steel Strap Diameter: Ø 4 ~ 6" |
| GV-Mount410 | Pole Mount Bracket Kit (Ø 6 ~ 7.5") |  | Bracket: 241 x 161 mm (9.5 x 6.3") Weight: 1.70 kg (3.75 lb) Steel Strap Diameter: Ø 6 ~ 7.5" |
| GV-Mount702 | Extension Tube |  | Four options are available. Dimensions: Ø 5.4 x 10 or 20 or 30 or 50 cm (Ø 2.1 x 3.9 or 7.9 or 11.8 or 19.7") Weight: 180 g or 390 g or 550 g or 800 g (0.4 lb or 0.86 lb or 1.21lb or 1.76 lb) |
| GV-Mount900 | Wall Mount Bracket |  | Dimensions: 154 x 108 x 50 mm (6.1 x 4.3 x 2") Weight: 240 g (0.53 lb) |
| GV-Mount903 | GV-VD Series Dome Housing |  | Dimensions: Ø 186 x 97.5 mm (Ø 7.3 x 3.8") Weight: 600 g (1.32 lb) |
| GV-Mount916 | In-Ceiling Mount |  | Dimensions: Ø 205 x 63.8 mm (Ø 8 x 2.5") Weight: 645 g |

| Model No. | Name | Details |
|--------------------------------|--|---|
| GV-PA191 PoE Adapter |  | Dimensions (H x W x D): 43 x 69 x 40 mm (1.69 x 2.72 x 1.57") Weight: 130 g (0.29 lb) |
| Plastic PG21 Conduit Connector |  | The plastic PG21 conduit connector is used for running the wires of the camera through a 1/2" conduit pipe. |
| Metal PG21 Conduit Connector |  | The metal PG21 conduit connector allows you to run the wires through a 3/4" conduit pipe. |
| GV-POE Switch | The GV-POE Switch is designed to provide power along with network connection for IP devices. The GV-POE Switch is available in various models with different numbers and types of ports. | |
| Power Adapter | Contact your sales representative for the countries and areas supported. | |